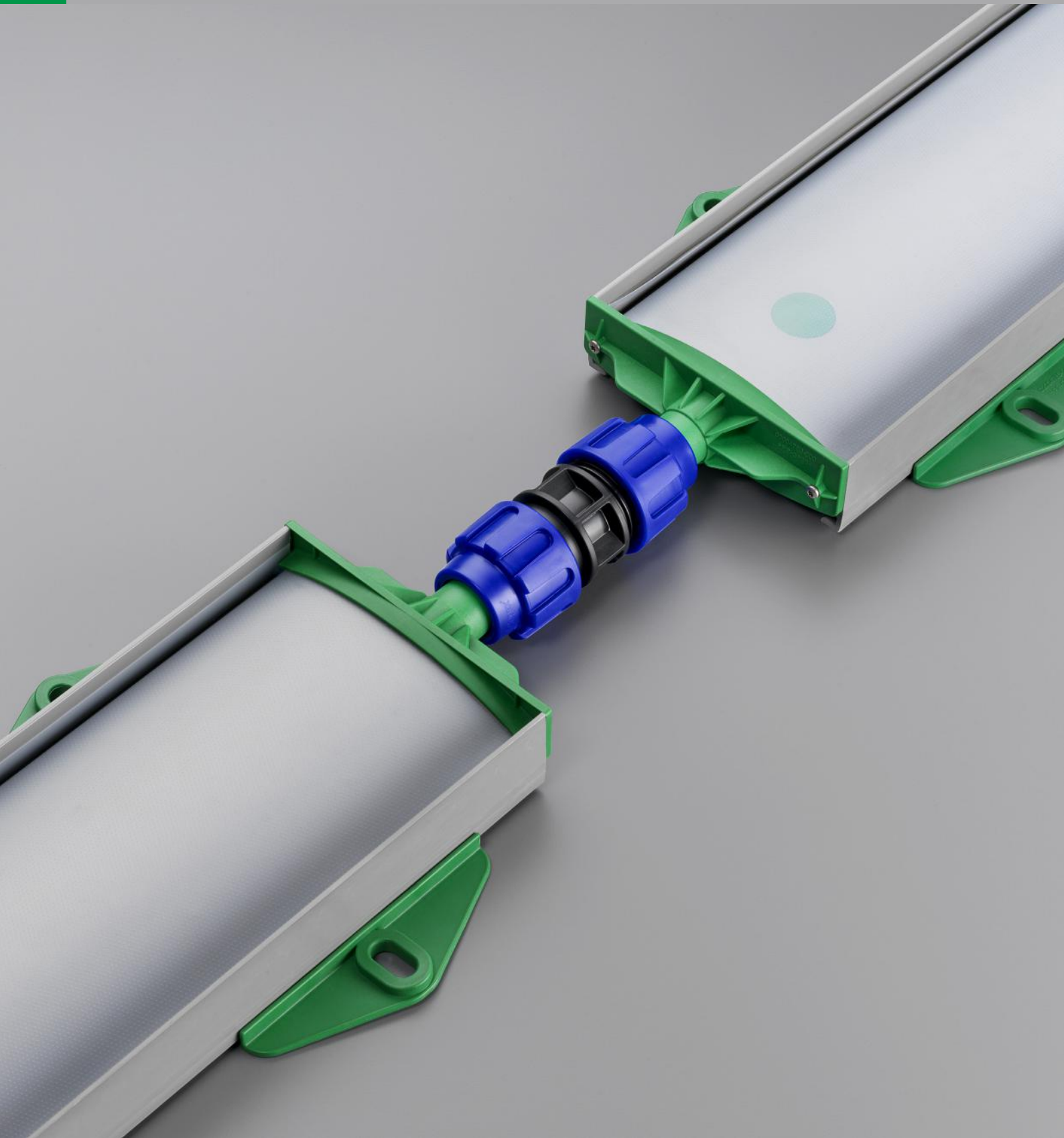
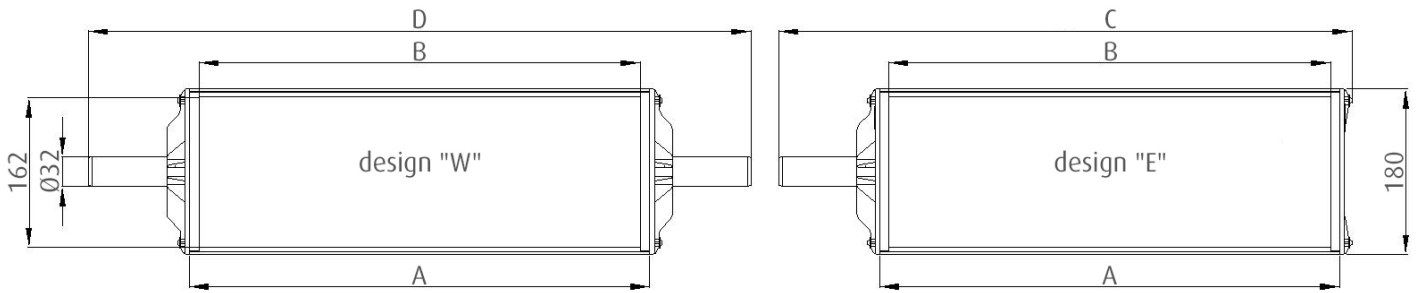


# JetFlex® SD 180 Strip Diffuser

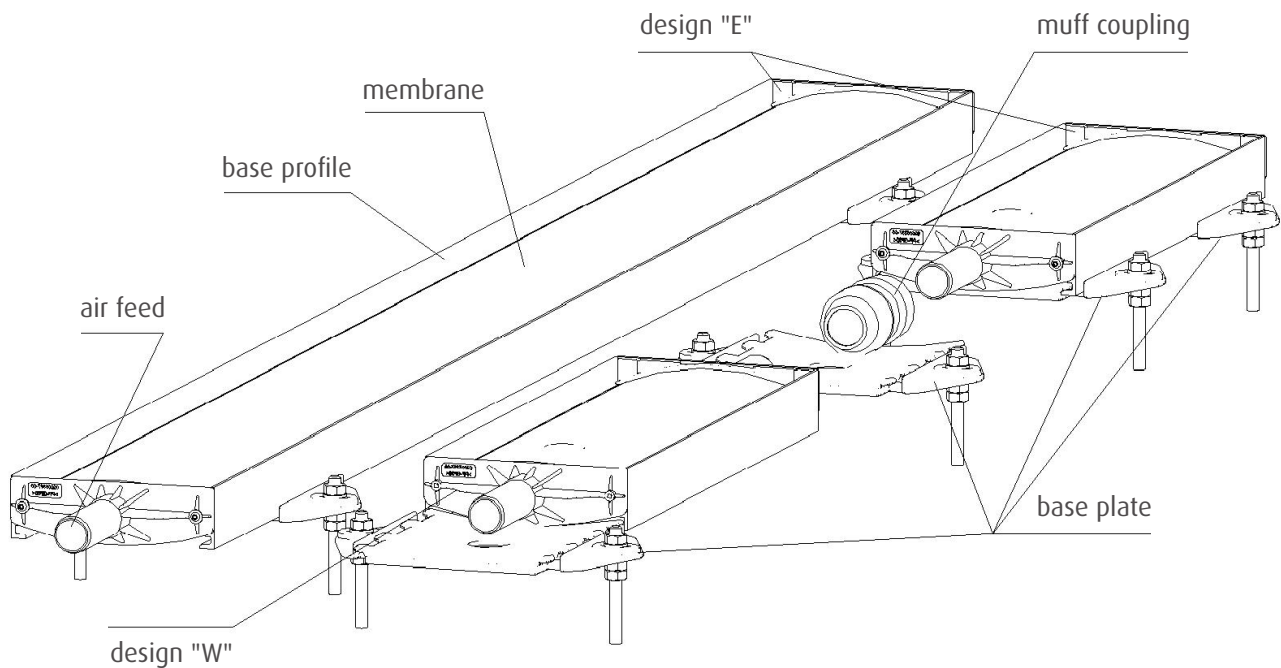


## Dimensions



	A [mm]	B [mm]	C [mm]	D [mm]	Air feed [mm]	Height [mm]	Weight [kg]	Active area [m <sup>2</sup> ]	Max. air rate [m <sup>3</sup> /h]
SD 180/1500	1500	1480	1620	1720	32	53	5,0	0,24	29
SD 180/2000	2000	1980	2120	2220	32	53	6,5	0,32	38
SD 180/2500	2500	2480	2620	2720	32	53	8	0,40	48
SD 180/3000	3000	2980	3120	3220	32	53	10	0,48	58
SD 180/3500	3500	3480	3620	3720	32	53	11,5	0,56	67
SD 180/4000	4000	3980	4120		32	53	13	0,64	76

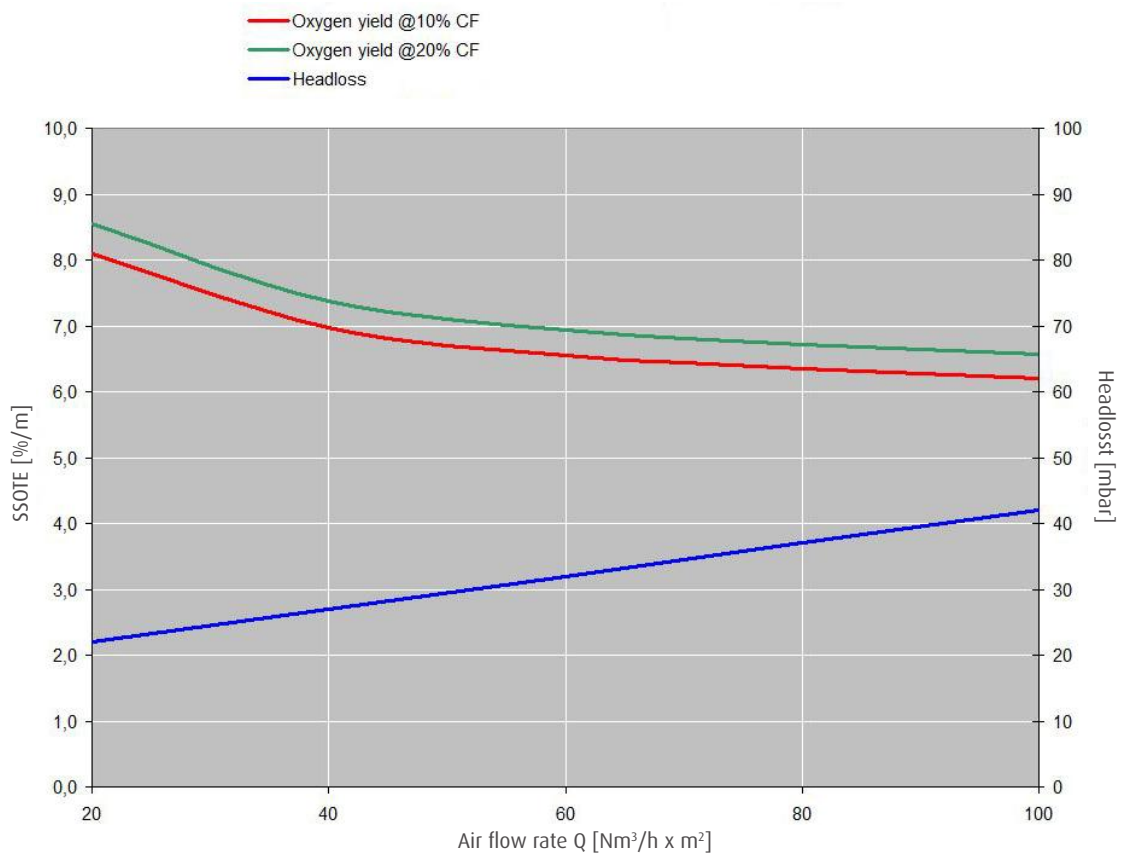
## Installation drawing



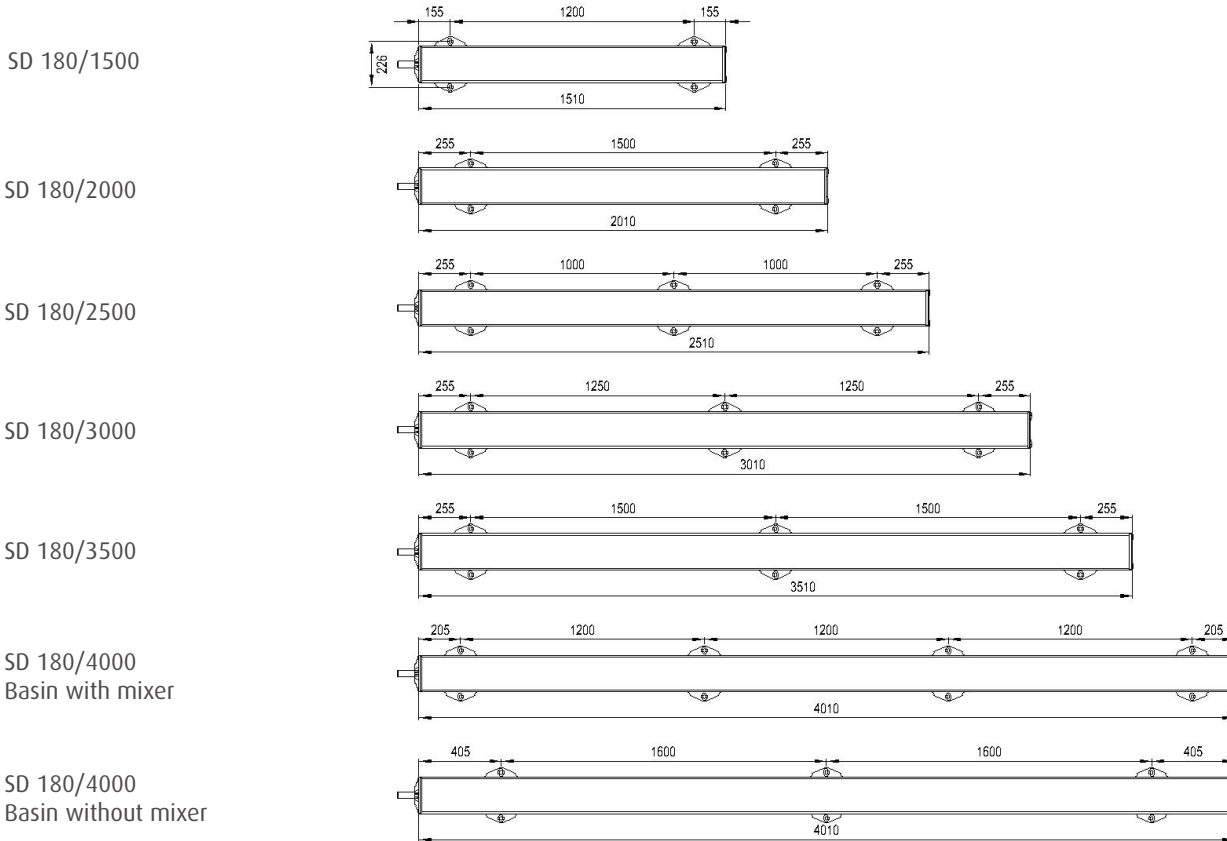


## Materials

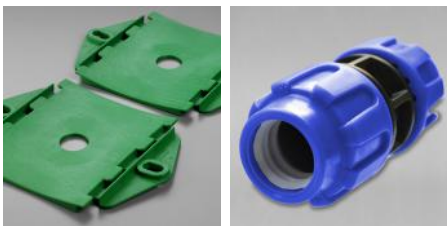
Membrane	Base profile	Air feed and check valve	Base plate	Threaded joints
Polyurethane	PVC	PP 30%GF	PP 30%GF	A4 / AISI 316



## Number and distances of fastening plates for SD 180



## Accessories



base plate

muff coupling



**Jäger Umwelt-Technik GmbH**

Lohweg 1  
30559 Hannover  
Germany

+49 511 646 440  
+49 511 646 444 99  
info@jaeger-envirotech.com  
www.jaeger-envirotech.com



### Disclaimer

We exclude any liability for the information and product presentations provided. Contents of technical character are based on the date of publication. Existing copyrights and rights to the use of names remain unaffected.